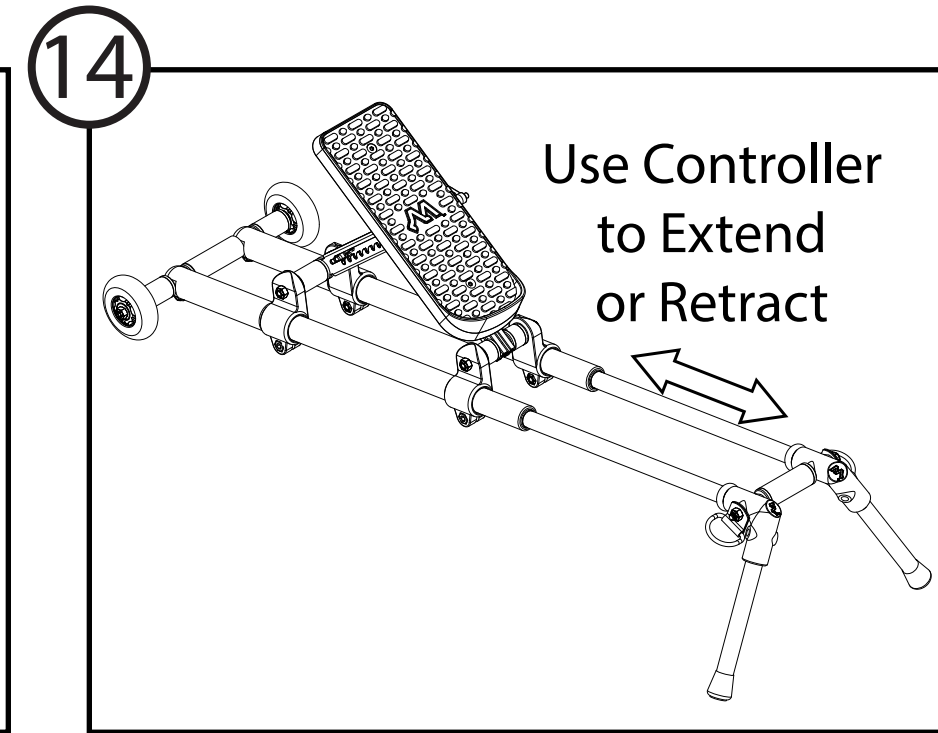
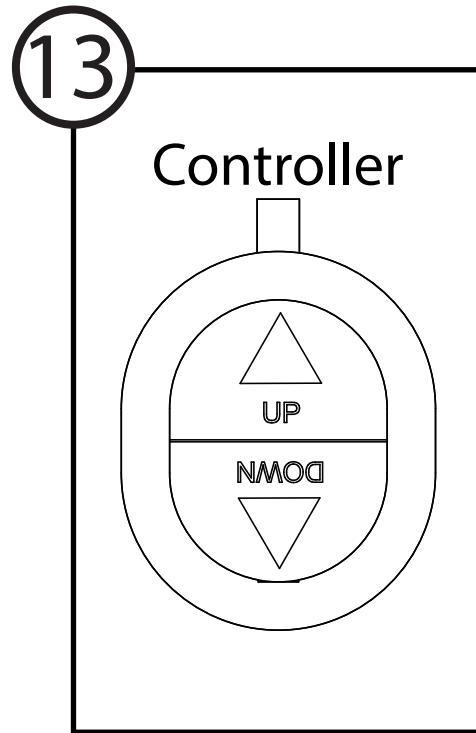
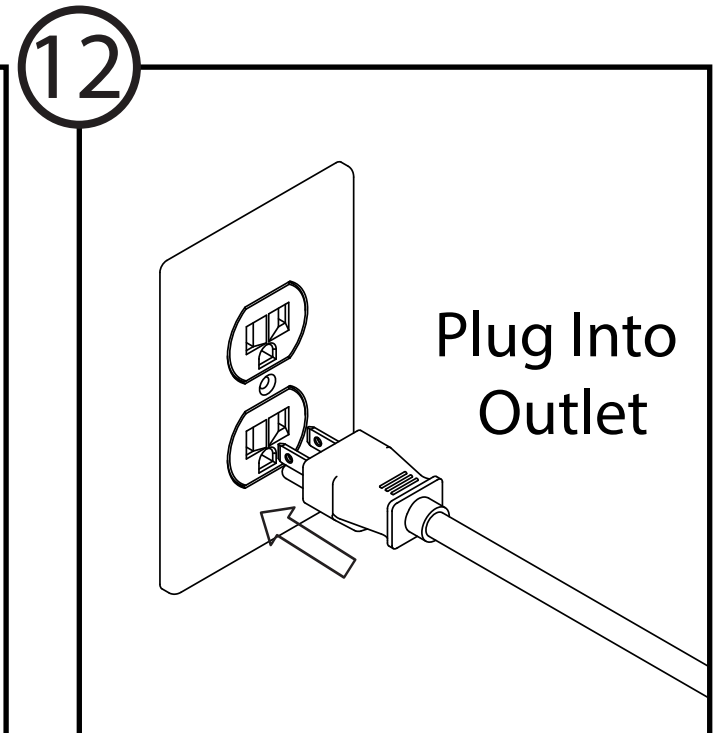
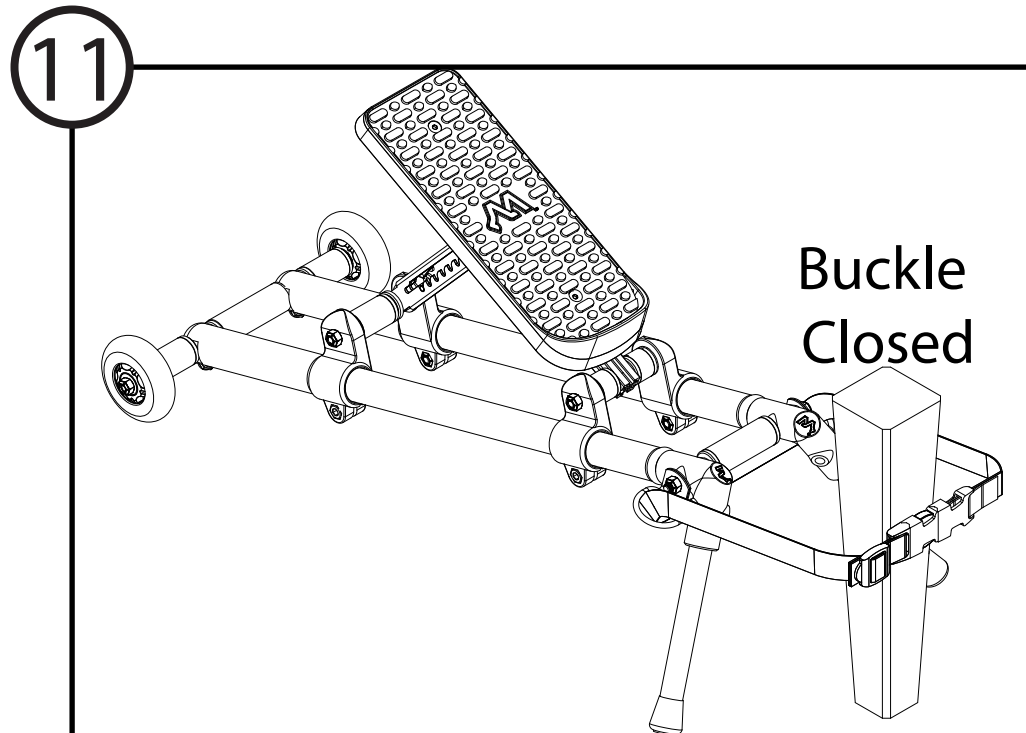
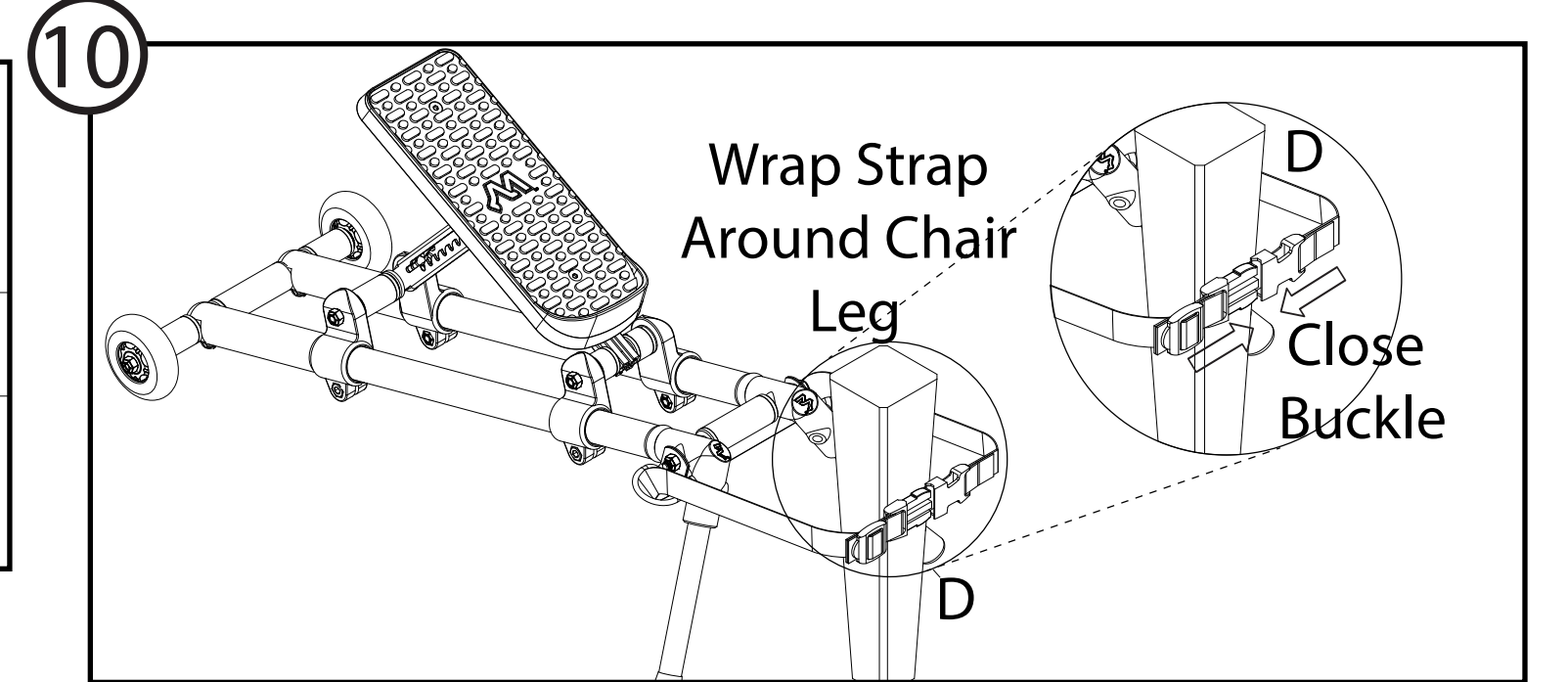
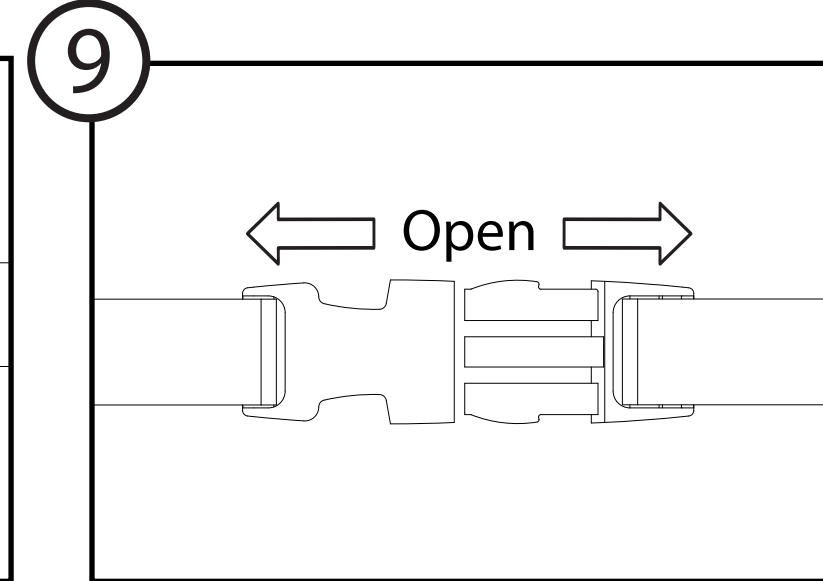
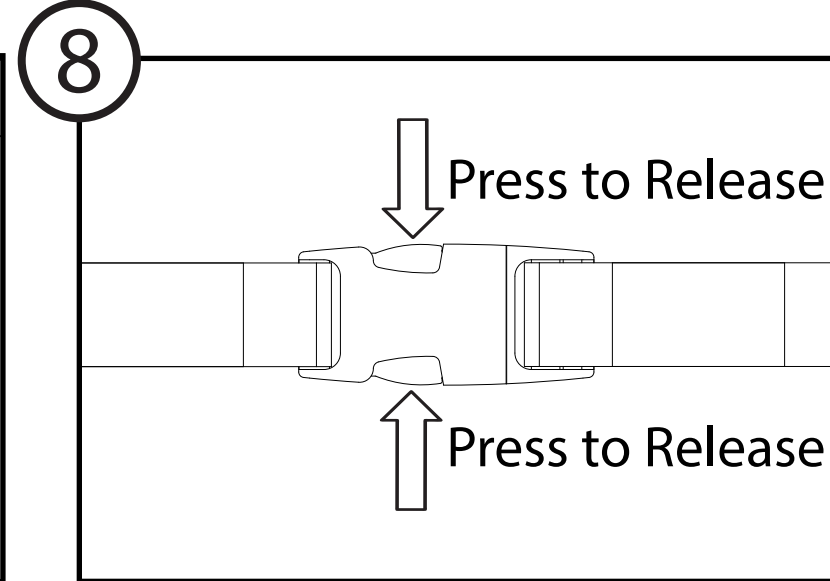
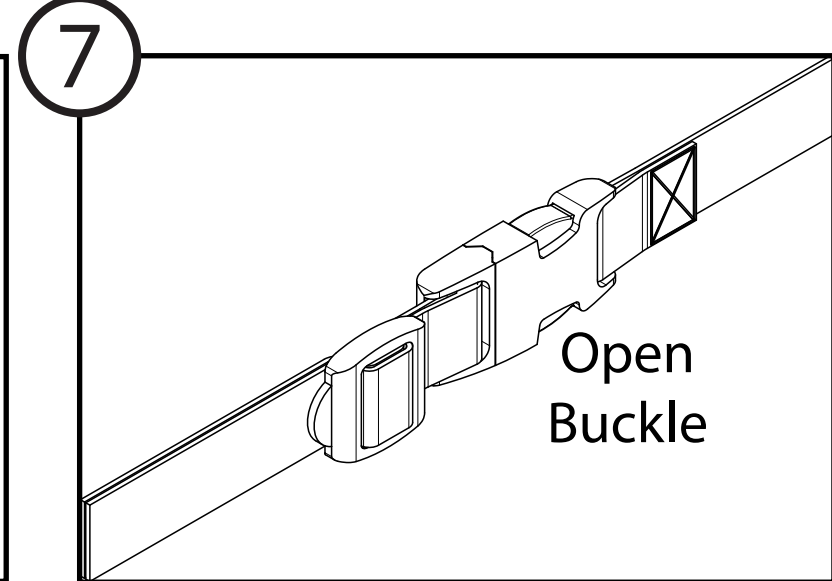
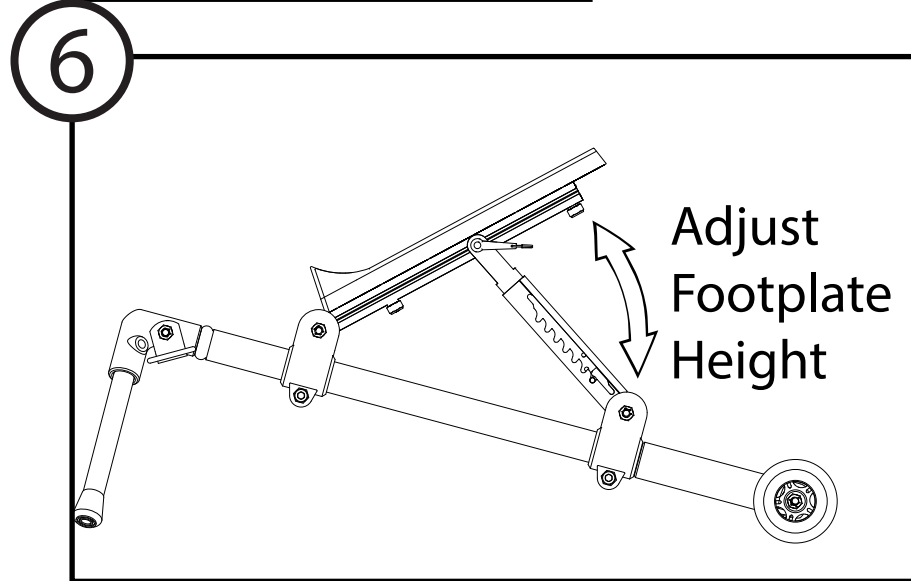
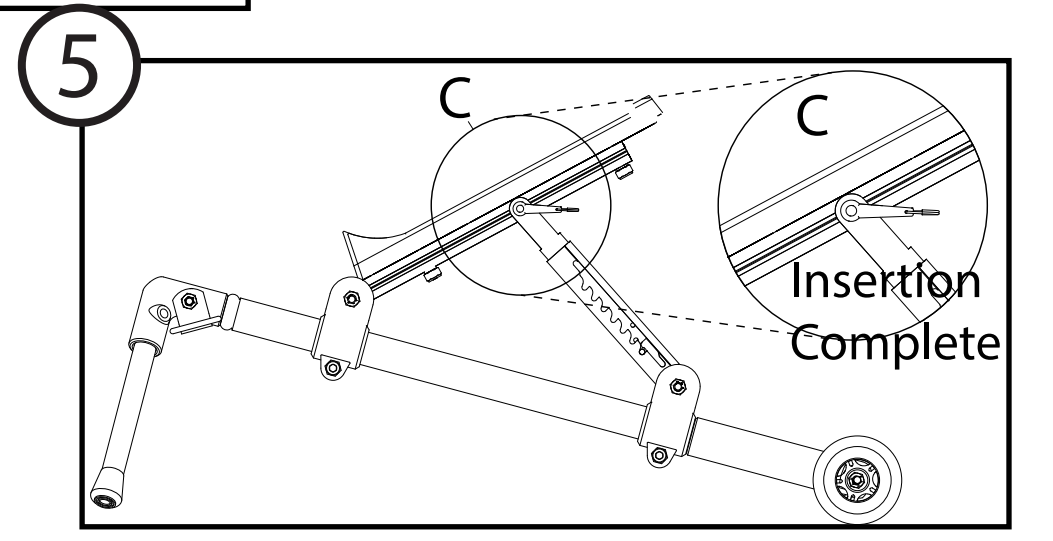
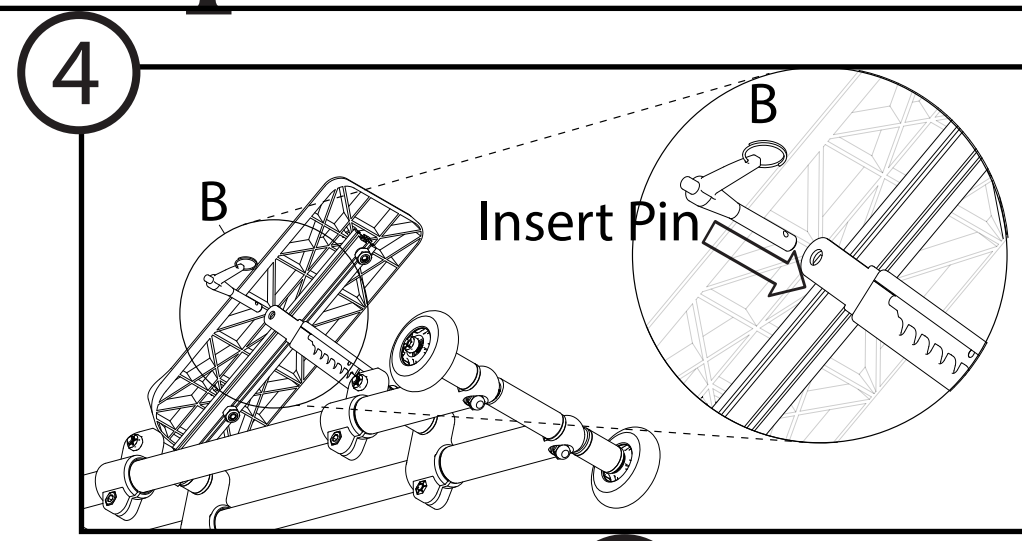
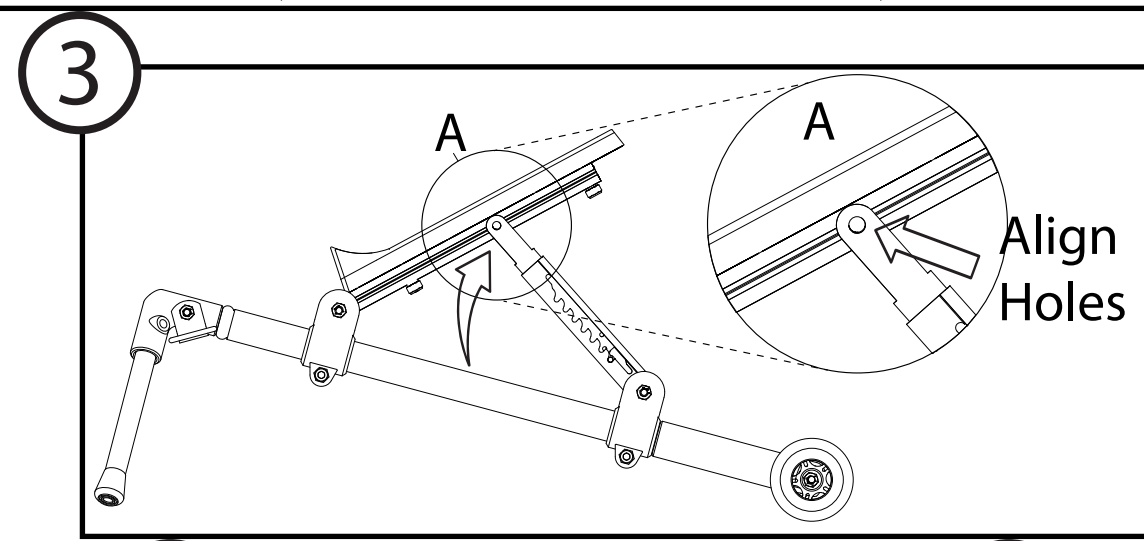
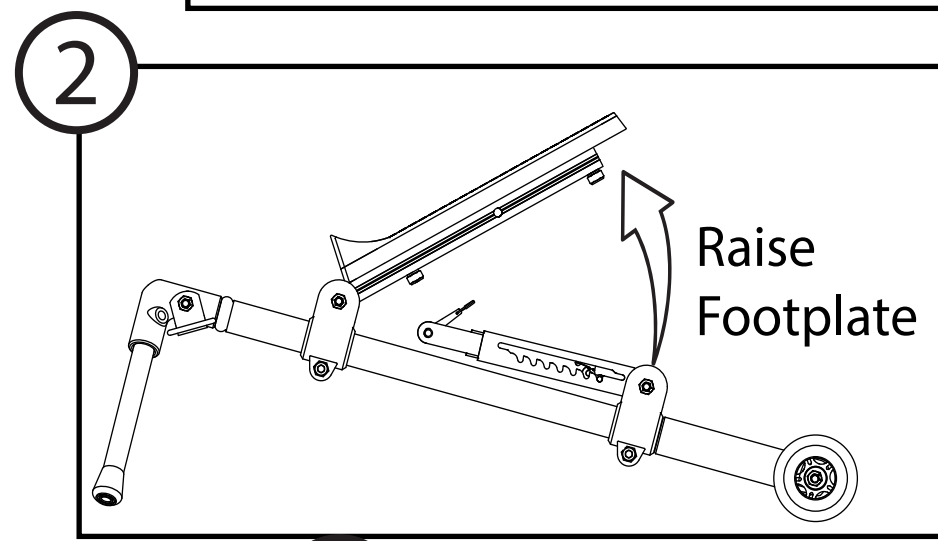
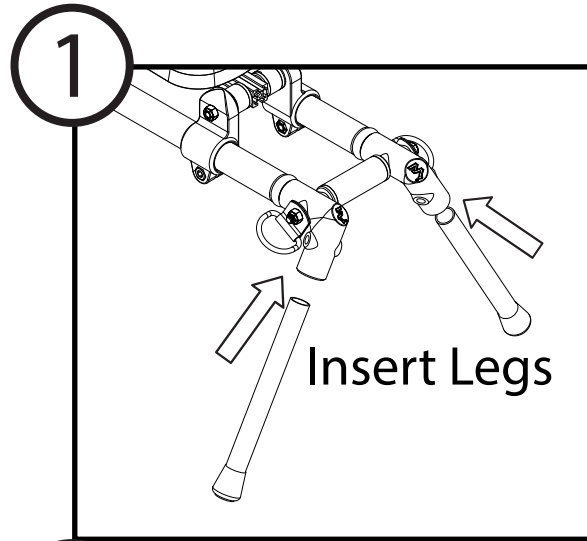


# Better Knee™ (Flexion) Set Up Instructions



For more information on how to set up, use or return the device, please visit our website at:

<https://movementmedical.us>

